

HEIM *Unibal*[®]

SPHERICAL BEARINGS

insert
construction



SPECIFICATION

HOUSING CHROMIUM MOLYBDENUM STEEL (OR S97 FOR AIRCRAFT).

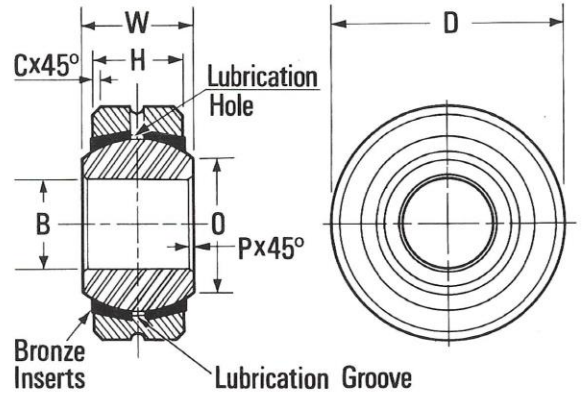
FINISH CADMIUM PLATED TO DTD 904.

BALL ONE PER CENT CARBON CHROMIUM STEEL (EN31) HEAT TREATED TO 60/62 ROCKWELL 'C'.

FINISH CHROMIUM PLATED ON BEARING SURFACE.

INSERTS ALUMINIUM BRONZE.

ALL DIMENSIONS GIVEN IN INCHES.



RSS series

BEARING NUMBER	B	D	W	H	O	C	P	Ball Diameter	Maximum Static Load in Pounds Approx.		Weight in Pounds Approx.
	Bore	Diameter	Ball Width	Housing Width	Flats	Chamfer	Chamfer		Radial	Axial	
	+·0000 -·0005	+·0000 -·0005	+·000 -·005	+·000 -·005		+·010 -·000	+·015 -·000				
RSS2	·1562	·4687	·250	·187	·235	·020	·010	$\frac{11}{32}$	2,000	723	·007
RSS3	·1875	·5625	·281	·218	·293	·020	·010	$\frac{13}{32}$	2,754	936	·015
RSS4	·2500	·6562	·343	·250	·364	·022	·016	$\frac{1}{2}$	4,200	1,435	·023
RSS5	·3125	·7500	·375	·281	·419	·032	·016	$\frac{9}{16}$	5,800	1,940	·031
RSS6	·3750	·8125	·406	·312	·475	·032	·016	$\frac{5}{8}$	7,150	2,340	·039
RSS7	·4375	·9062	·437	·343	·530	·032	·016	$\frac{11}{16}$	8,625	2,775	·047
RSS8	·5000	1·0000	·500	·390	·600	·032	·016	$\frac{25}{32}$	11,200	3,560	·070
RSS9	·5625	1·0937	·562	·437	·670	·032	·016	$\frac{7}{8}$	14,000	4,360	·094
RSS10	·6250	1·1875	·625	·500	·739	·032	·016	$\frac{31}{32}$	17,700	5,480	·117
RSS12	·7500	1·4375	·750	·593	·920	·044	·032	$1\frac{3}{16}$	25,750	7,350	·203
RSS14	·8750	1·5625	·875	·703	·980	·044	·032	$1\frac{5}{16}$	33,600	9,250	·273
RSS16	1·0000	1·7500	1·000	·797	1·118	·044	·032	$1\frac{1}{2}$	37,524	11,088	·382

For further information refer to Technical index.